



INSTALLATION GUIDE QUIK-FIT CORNER ENTRY SHOWER ENCLOSURE

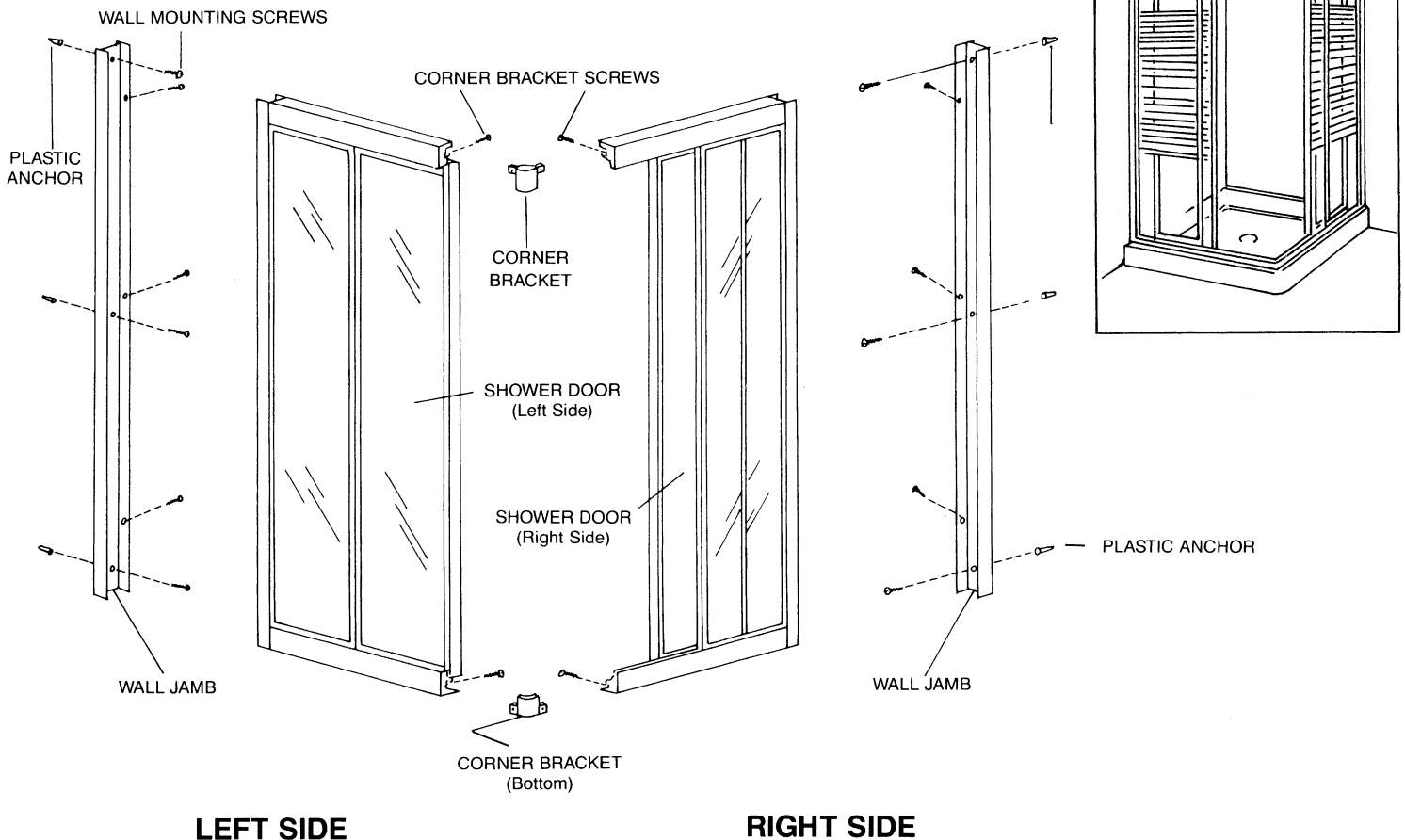
IMPORTANT: Record the Model No. _____ Invoice No. _____ of your tub or shower enclosure for future reference.

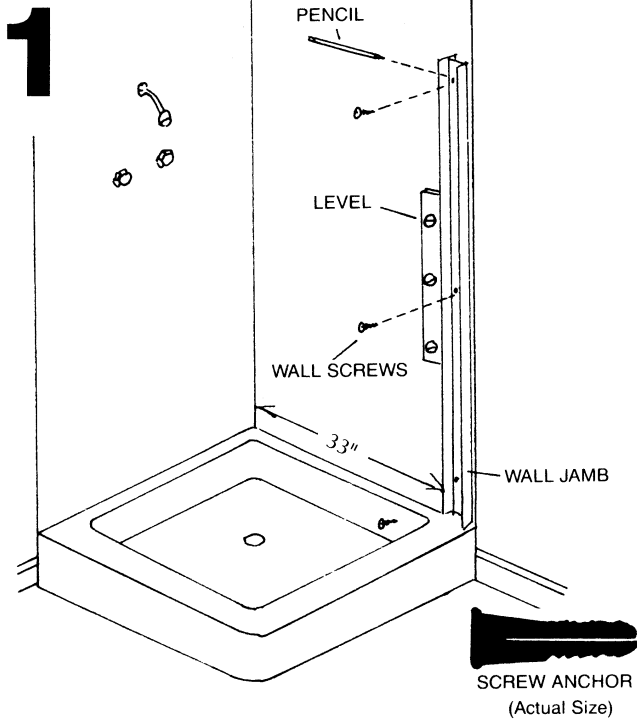
READ THE INSTRUCTIONS CAREFULLY, familiarize yourself and check all the parts as shown in the exploded view. The exploded view will also provide a helpful reference when relating the location of the various parts and how they are mounted.

TOOLS AND MATERIALS NEEDED:

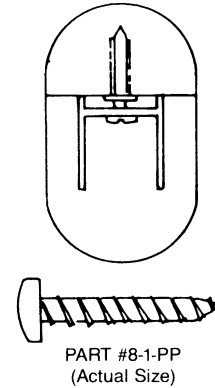
Tape Measure, Electric Drill, Level, Phillips and Flat Screwdrivers, Drill Bits, Hacksaw, Caulking Tube

NOTE: FOR FIBERGLASS STALLS USE $\frac{1}{8}$ " REG. BIT OR #29 – DO NOT USE PLASTIC ANCHORS – ALL SCREWS ARE SELFTAPPING.





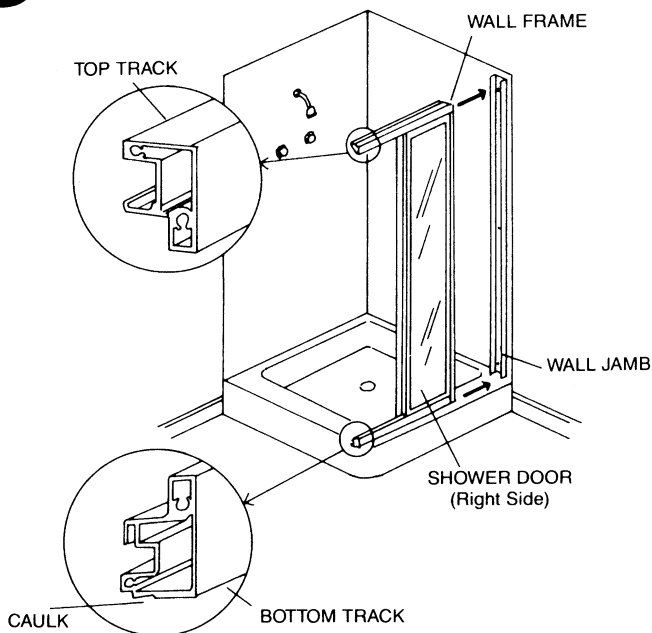
2



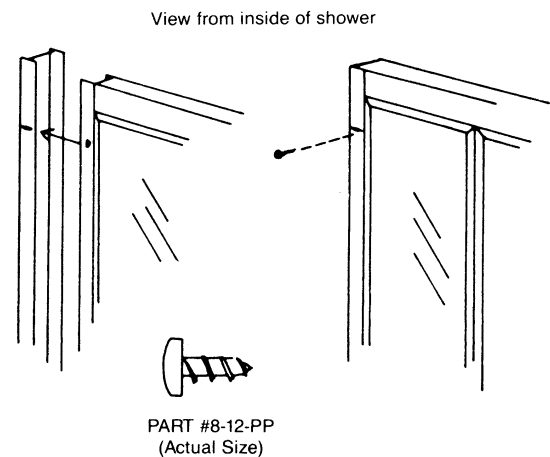
Reposition each wall jamb and mount with 8x1" screws provided.

Place wall jamb against the wall 33" from the inside wall to the inside of the wall jamb. Use level to plumb wall jamb as shown and mark the three hole locations. Repeat procedure with other jamb on opposite wall. Drill 3/16" holes in wall as marked. (If ceramic tile use a masonry drill bit and nick surface first with a center punch.) Insert screw anchors provided.

3



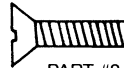
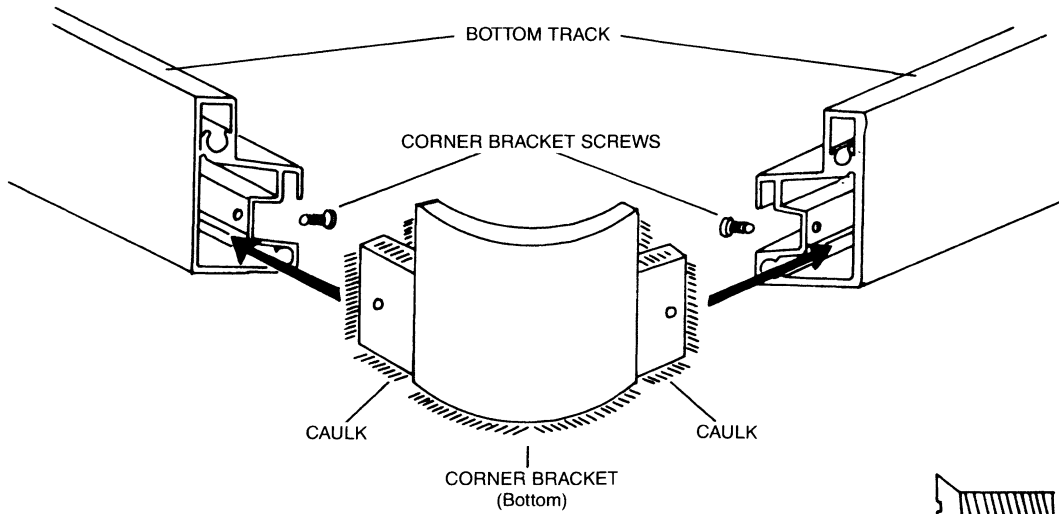
4



From inside the shower, match up the pre-drilled holes with the slots and insert screws. Do not tighten completely yet.

Apply a bead of caulk underneath the bottom track and then slide the door frames over the wall jambs as shown, installing the right side first and then the left.

5



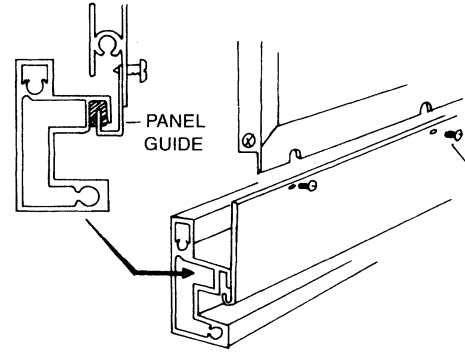
PART #8-32-12
(Actual Size)

Caulk along seams and bottom of bottom corner bracket before installing. Slide the corner bracket into both bottom tracks as shown. From inside the shower insert machine screws thru bottom track into corner bracket. Install the top corner bracket using the same procedure.

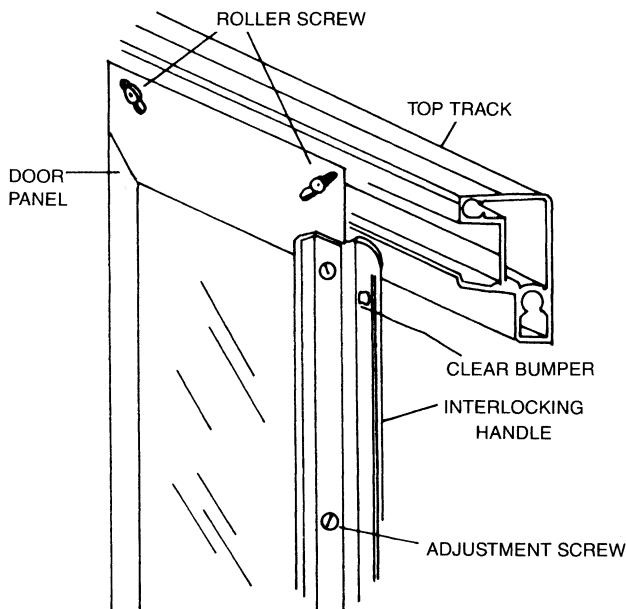
6

Slowly slide the right door panel to the center corner and then the left panel until they interlock. Should the panels not roll smoothly loosen the panel guide screws and adjust the panel guide up or down inside the slots of the panel.

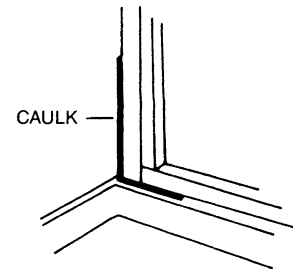
Additional adjustment may be made by loosening the roller screws on one end or both, adjusting and retightening the screws.



7

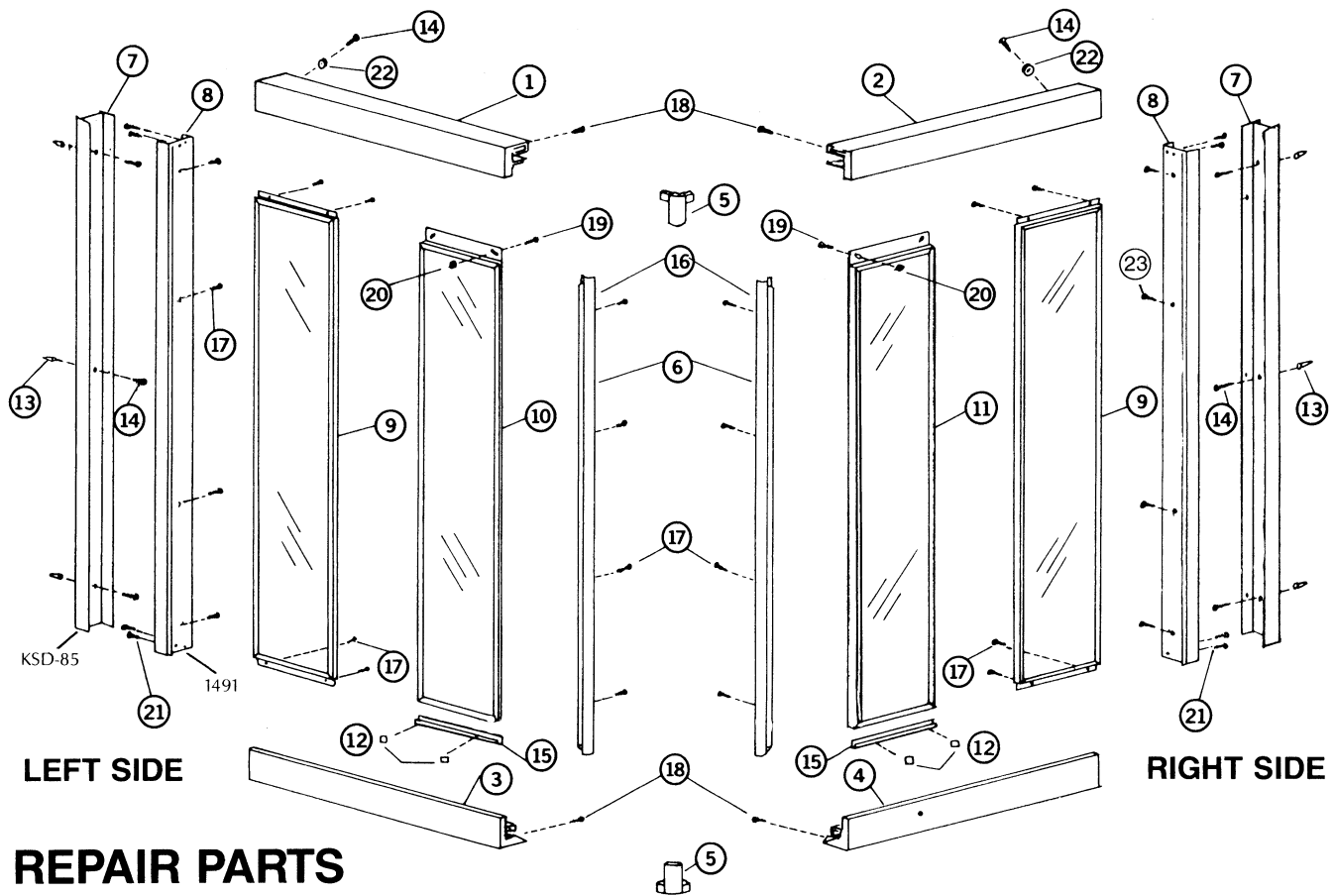


8



Run a continuous bead of caulk all along the inside of the wall jambs and bottom tracks and also caulk seams where the corner bracket meets the bottom tracks.

Adjust the interlocking handle by loosening the screws in the slots to position the handle for a good fit when closed. Tighten all screws after final adjustments.



REPAIR PARTS

how to order replacement parts

Always give the following information to distributor nearest to your location:

1. Part Name
2. Part Number
3. Part Description (Length, Size, Color, etc.)
4. Model Number

Key No.	Part Name	Qty.	Part No.
1	Top Track (left)	1	1490 L
2	Top Track (right)	1	1490 R
3	Bottom Track (left)	1	1492 L
4	Bottom Track (right)	1	1492 R
5	Corner Brackets	2	1000
6	Interlocking Handles	2	1496
7	Wall Jamb	2	KSD-85
8	Panel Jamb	2	1491
9	Stationary Panels	2	CESP
10	Door Panel	1	CELD
11	Door Panel	1	CERD
12	Guide Clips	4	GC-1

Key No.	Part Name	Qty.	Part No.
13	Screw Anchors	6	PSA-1
14	Screws	8	8-1-PP
15	Panel Guides	2	1296
16	Bumpers	4	BP-1
17	Mounting Screws	18	8-38-PP
18	Corner Bracket Screws	4	8-32-12
19	Roller Screws	4	8-32-12-PP
20	Rollers	4	E-9004
21	Panel Screws	8	81-F
22	Round Bumpers	2	56
23	Mounting Screws	6	8-12-PP



Shower-Rite Division
 7519 South Greenwood Avenue
 Chicago, Illinois 60619
 (773) 483-5400 or
 (800) 925-9131
 FAX: (773) 483-5409

HOW TO CARE FOR YOUR ENCLOSURE

Never use scouring powder, pads or sharp instruments on metal or glass panels. An occasional wiping down with mild detergent diluted in water is all that is needed to keep the panels and anodized aluminum parts looking new. The use of squeegee following each shower is recommended to eliminate water spots on the inside of the glass panels.