



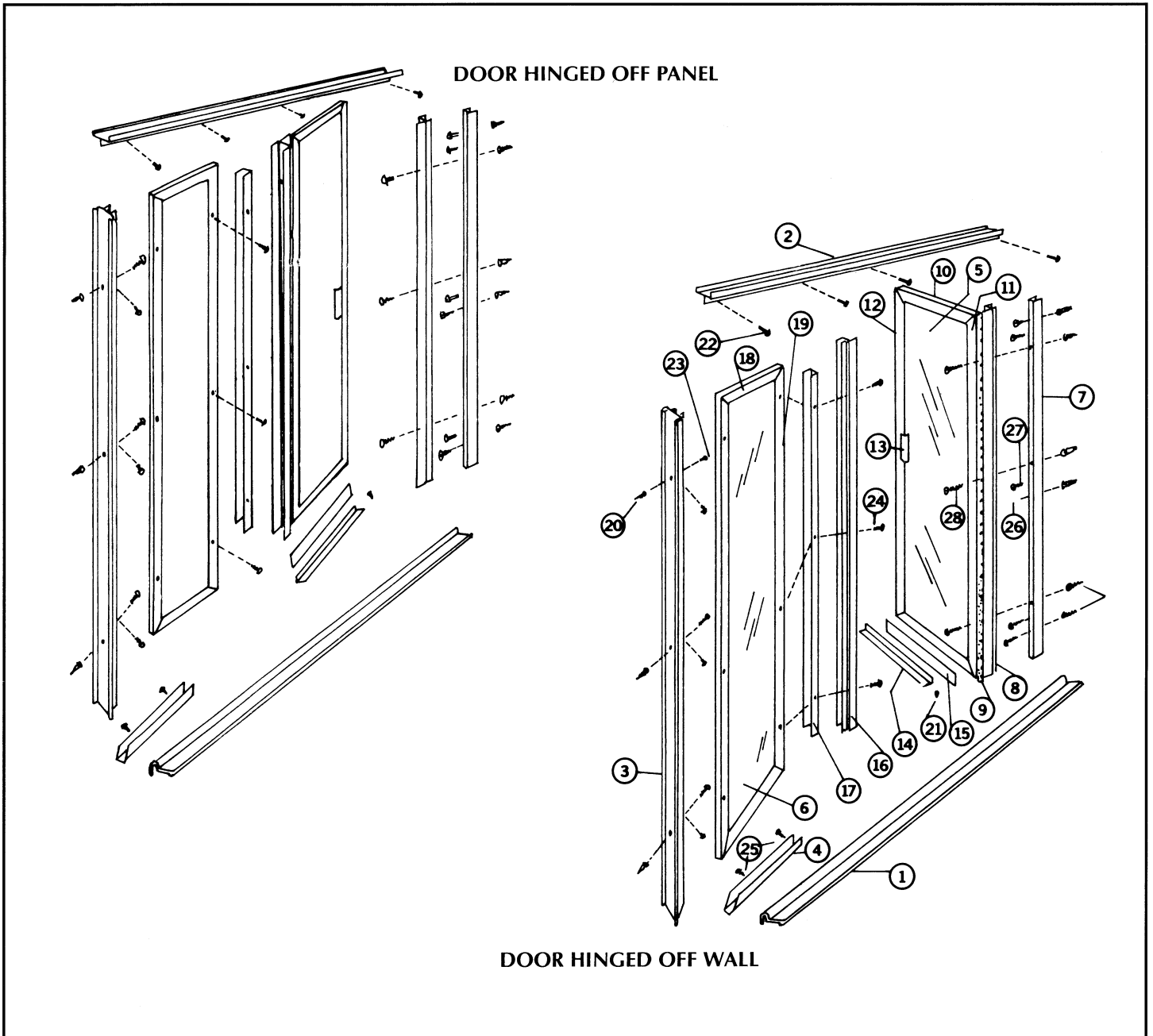
INSTALLATION GUIDE DOOR-N-PANEL SHOWER ENCLOSURE

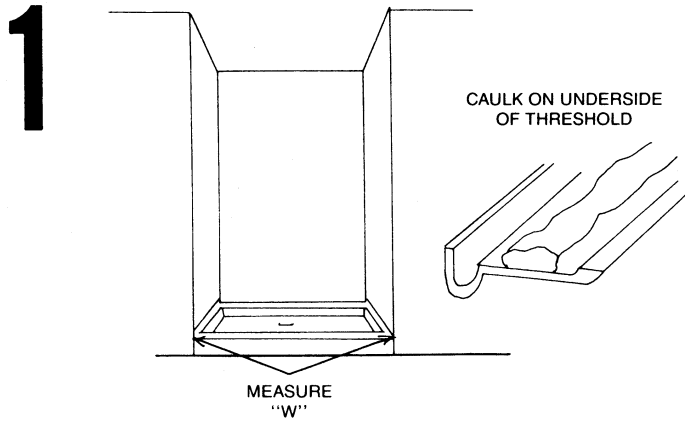
IMPORTANT: Record the Model No. _____ of your tub or shower enclosures for future reference.

READ THE INSTRUCTIONS CAREFULLY, familiarize yourself and check all the parts as shown in the exploded view. The exploded view will also provide a helpful reference when relating the location of the various parts and how they are mounted.

TOOLS AND MATERIALS NEEDED:

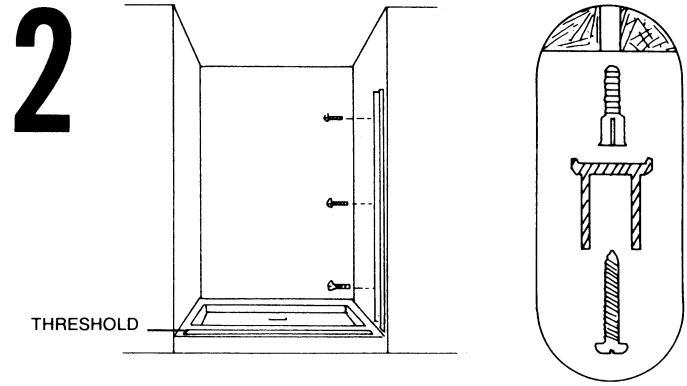
Tape Measure, Electric Drill, Level, Phillips and Flat Screwdrivers, Drill Bits ($\frac{1}{8}$ " & $\frac{3}{16}$ "), Hacksaw, Caulking Tube.





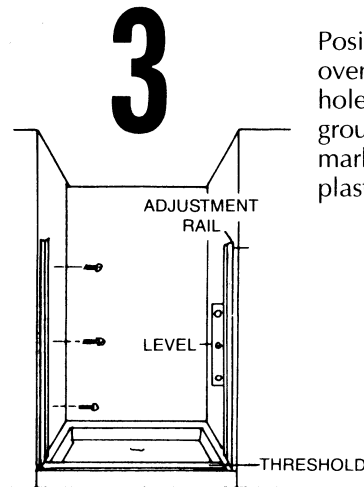
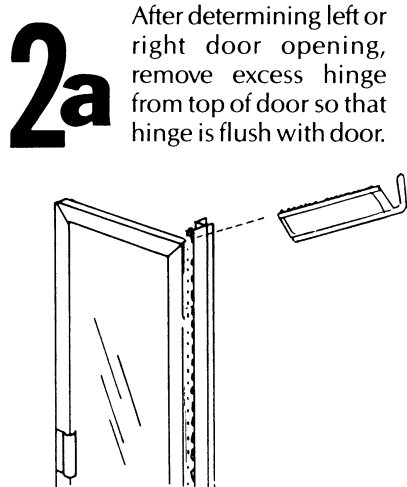
Measure distance "W" on the center base ledge. Cut the threshold to size of "W" dimension. Apply on center of shower base ledge with the high edge to the outside.

NOTE: When installation is on fiberglass shower stall, it may be necessary to file a radius to match the corner radius of the fiberglass unit. (Use 1" flat file)

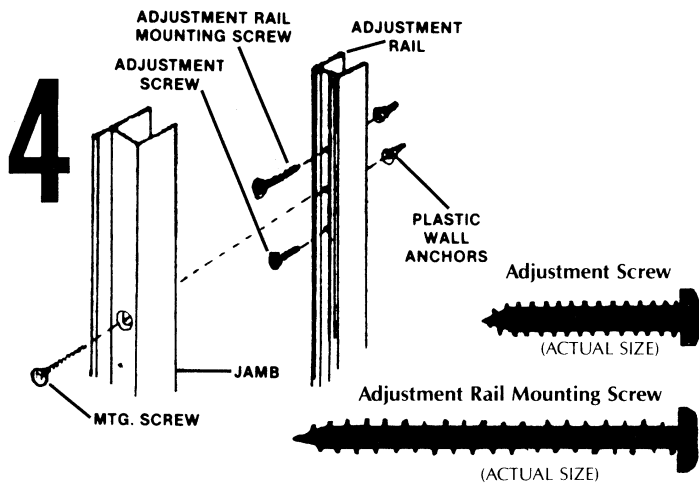
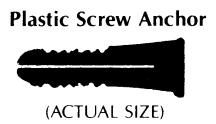


Place the wall trim against the wall with the mitered end resting on the threshold. Plumb with the level and mark position of the holes on the wall. Drill $\frac{3}{16}$ " holes for the plastic screw anchors and secure with screws provided.

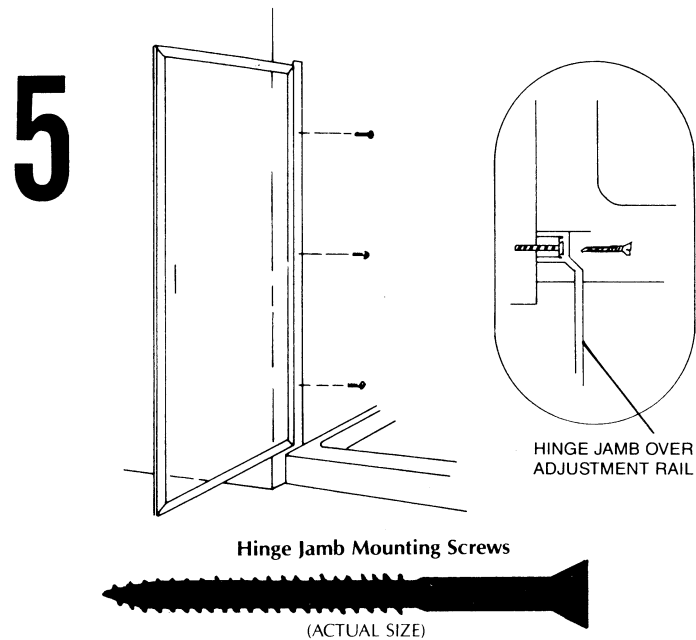
NOTE: On fiberglass or plastic walls, use a $\frac{1}{8}$ " drill bit and do not use the screw anchors.



Position adjustment rail on opposite end of the shower wall over the threshold. Use level to plumb and mark location of holes for drilling. The adjustment rail has three 3-hole groupings. Only the large holes in each group should be marked for drilling. Drill $\frac{3}{16}$ " diameter holes and insert one plastic screw anchor in each hole.

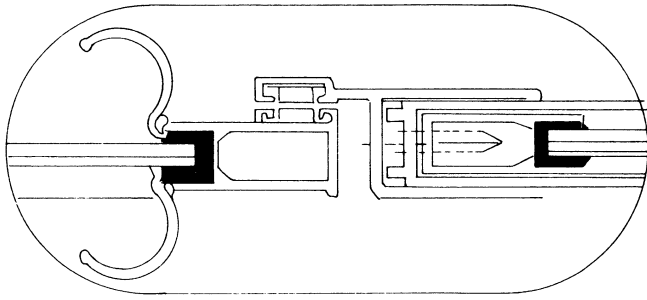


Before fastening adjustment rail to wall with mounting screws, match holes in door and hinge jamb assembly with holes in the adjustment rail to determine which mounting hole is for the adjustment rail only. Remove door and hinge jamb assembly and after inserting adjustment rail mounting screws insert adjustment screw all the way into the adjustment rail. (The small hole of each 3-hole grouping.) (If door is hinged off panel, then this applies to the magnetic strike.)

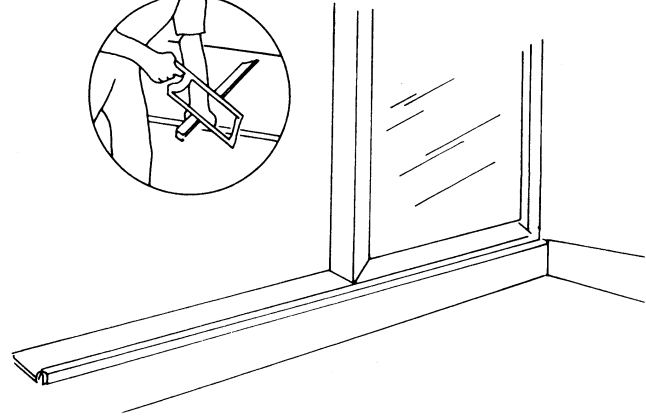
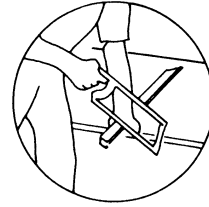


Fasten hinge jamb and door assembly over the adjustment rail.

6

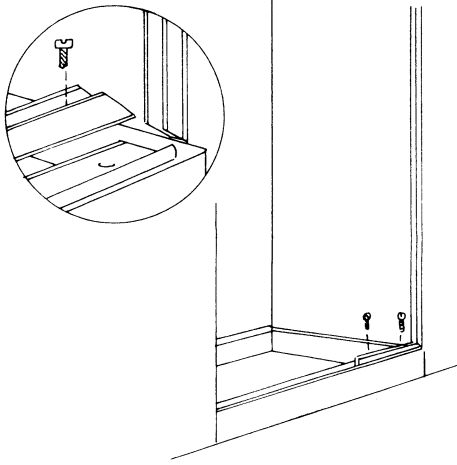


Temporarily position stationary panel all the way into the wall trim. Place the adjustment rail on the open side of the panel and then place the magnetic strike jamb over the adjustment rail with the magnetic strip facing to the outside of the shower. Close the door and adjust the magnetic jamb to allow $\frac{1}{8}$ " to $\frac{1}{4}$ " clearance between the jamb and the door panel. Measure the distance from the wall to the edge of the magnetic strike jamb.



Remove the panel and jambs and cut bottom trim this distance for panel at the opposite end of the mitered cut.

7



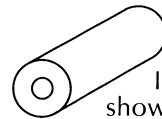
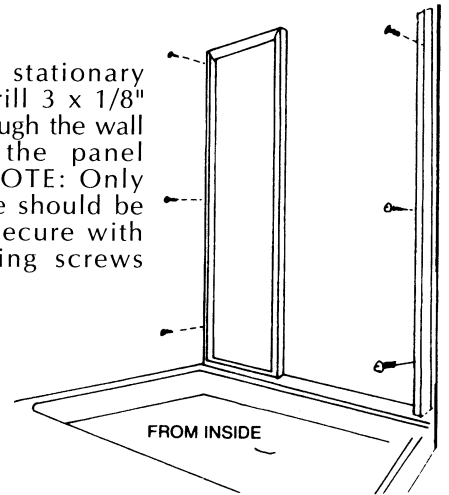
With bottom trim in position, mark and drill $\frac{1}{8}$ " diameter holes. Apply adhesive/sealant to the underside of the bottom trim and secure with screws provided.

8

Replace stationary panel. Drill 3 x $\frac{1}{8}$ " holes through the wall trim to the panel frame. NOTE: Only inner side should be drilled. Secure with self-tapping screws provided.



(ACTUAL SIZE)

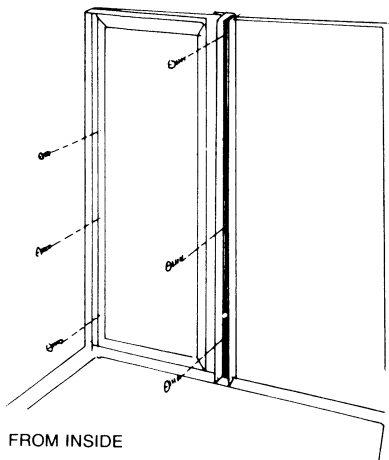


If required, the enclosed plastic cylinders shown are to be placed under any stationary panels (inside the bottom panel trim) to shim up the panels for a closer fit to the bottom of the header.

9

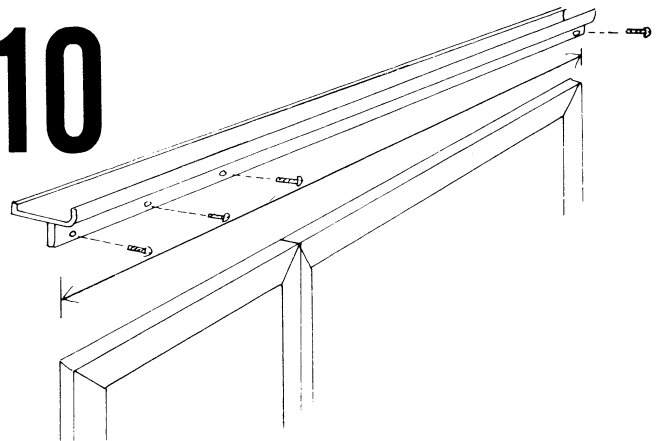


(ACTUAL SIZE)



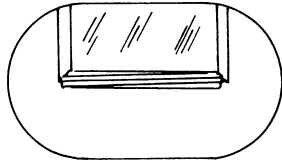
Replace the adjustment rail and magnetic strike (or hinge jamb) over the panel. Adjust again for proper door clearance. From inside the shower drill three $\frac{1}{8}$ " diameter holes through both jambs and the inside of the panel frame and secure with $\frac{1}{2}$ " pan head screws.

10



Measure distance from wall to wall at the top of the enclosure and cut header to size. From inside the shower drill two holes to go into the stationary panel top frame as shown and one into each wall jamb. Install with $\frac{1}{2}$ " screws.

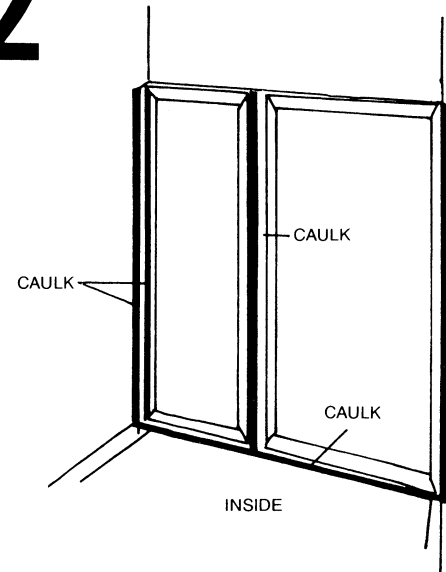
11



Wipe off door bottom frame with clean rag. Cut the vinyl sweep the same length as the drip rail and slide it into the groove on the underside of the drip rail. Position the drip rail on the inside of the door bottom frame $\frac{1}{8}$ " up from the bottom edge and set $\frac{1}{2}$ " from each outside edge. The drip rail should be adjusted so that it angles down toward the hinge jamb and does not hit the threshold or the door jambs when the door is closed. Mark location and then remove backing from tape and press drip rail in place. Insert plastic plug in the drip rail opposite the hinge side to allow the water to drain back into the shower.

NOTE: Drip rail should **not** be removed after it has been set in position as the tape may tear.

12



Caulk along the inside of the wall jambs on each side and where indicated by black line.

how to order replacement parts

| Key No. | Part Name | Part No. |
|---------|--------------------------|-----------------|
| 1 | Threshold | 8105 |
| 2 | Header | 8880 |
| 3 | Wall Trim | 5879 |
| 4 | Bottom Trim | 5879 |
| 5 | Door Panel | Model # - Door |
| 6 | Side Panel | Model # - Panel |
| 7 | Hinge Adj. Rail | EX122 |
| 8 | Hinge Jamb | EX123 |
| 9 | Hinge | 61 |
| 10 | Door Top/Bottom Frame | 1393 |
| 11 | Door Side Frame | 1393 |
| 12 | Magnetic Door Side Frame | 1393M |
| 13 | Door Handle | 6627 |
| 14 | Drip Rail | 2482 |

Always give the following information to distributor nearest to your location:

1. Part Name
2. Part Number
3. Part Description (Length, Size, Color, etc.)
4. Model Number

| Key No. | Part Name | Part No. |
|---------|-----------------------------|---------------------------|
| 15 | Drip Rail Vinyl | PVS2 |
| 16 | Magnetic Jamb | EX123M |
| 17 | Adjustment Rail | EX122 |
| 18 | Panel top/Bottom | 5493-3 |
| 19 | Panel Sides | 5493-3 |
| 20 | Plastic Screw Anchor | PSA1 |
| 21 | Drip Rail Plug | DCP1 |
| 22 | Header Mounting Screws | 8x $\frac{3}{8}$ PPH (3) |
| 23 | Wall Trim Mounting Screws | 8x1 $\frac{1}{2}$ PFH (3) |
| 24 | Panel Securing Screws | 8x $\frac{3}{8}$ PPH (6) |
| 25 | Bottom Trim Mounting Screws | 8x $\frac{3}{8}$ PPH (2) |
| 26 | Adj. Rail Mounting Screws | 8x2 PPH (3) |
| 27 | Adjustment Screws | 8x1 PPH (3) |
| 28 | Hinge Jamb Mounting Screws | 8x2 $\frac{1}{2}$ PFH (3) |

how to care for your enclosure

NEVER USE SCOURING POWDER, PADS OR SHARP INSTRUMENTS ON METAL WORK OR GLASS PANELS.

An occasional wiping down with mild detergent diluted in water is all that is needed to keep the panels and anodized aluminum parts looking new.

Shower-Rite

7519 South Greenwood Avenue
Chicago, Illinois 60619
(773) 483-5400 or
(800) 925-9131
Fax: (773) 483-5409
Website: www.showerite.com